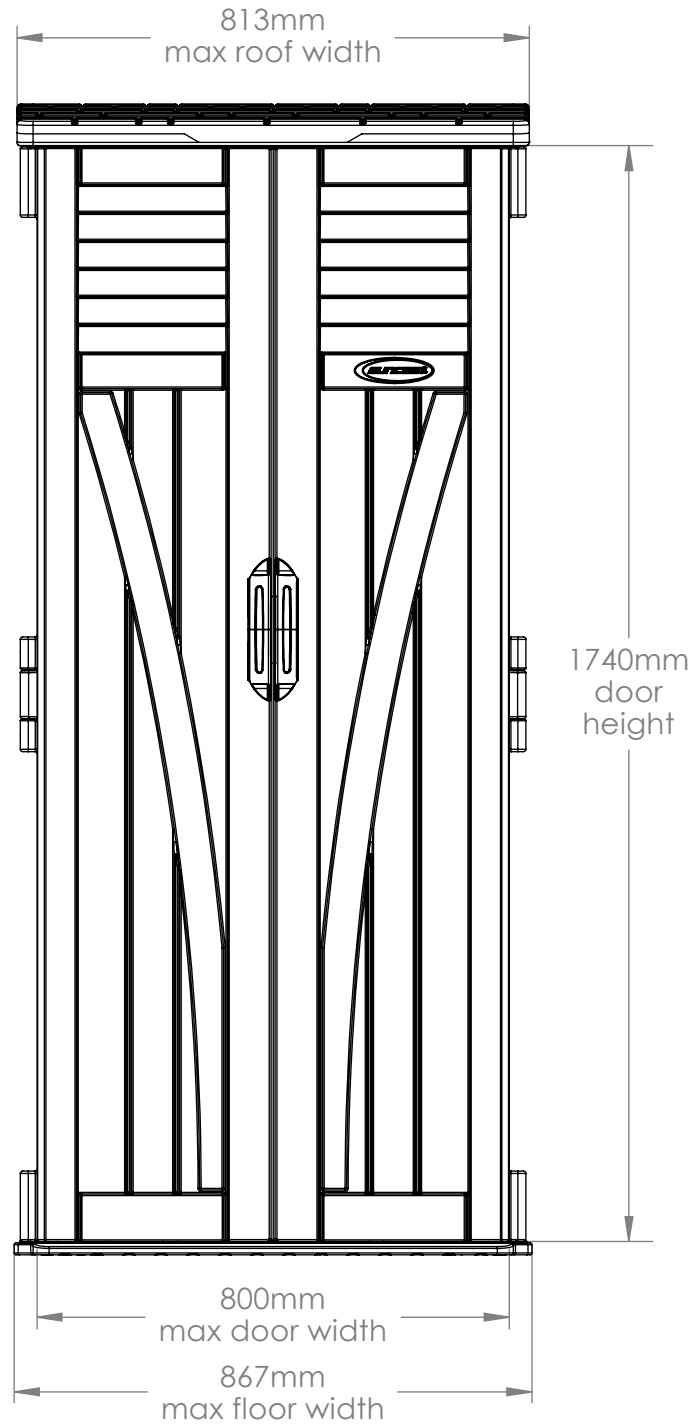
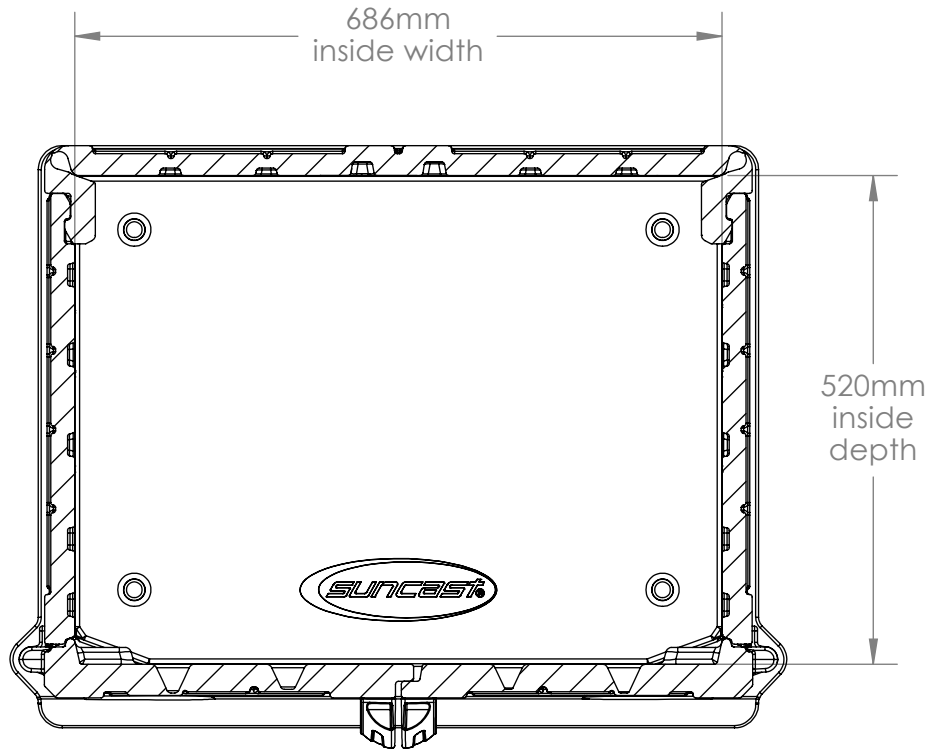


**BMS2000**  
**FRONT VIEW**

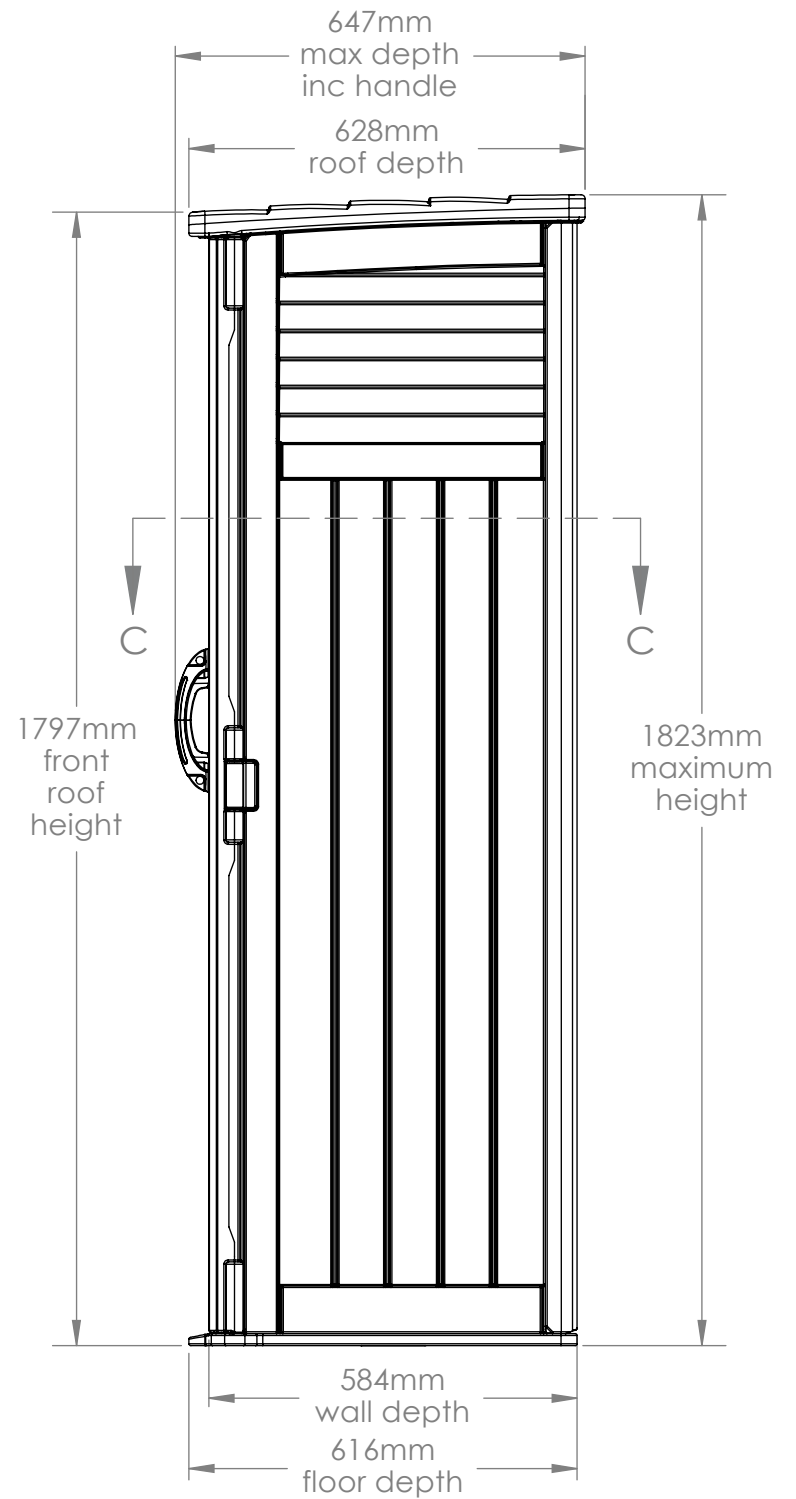
VOLUME: 0.35m<sup>3</sup>  
AREA: 0.79m<sup>2</sup>



# BMS2000 SIDE VIEW



SECTION C



# BMS2000 SECTIONAL VIEW

